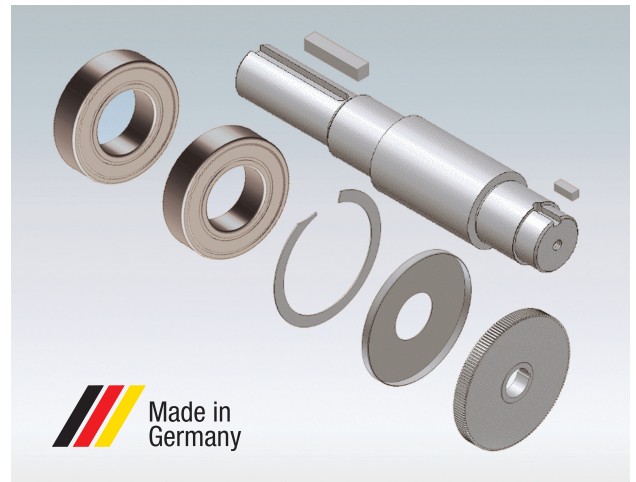


## Gearbox Kits suitable for Sunflo Pump Type P-2000



Complete gearbox kits from **sammler cs** suitable for Sunflo Pump type P-2000 allow a quick and easy overhaul of failed gearboxes.

All single components meet the highest material and quality standards and are fully compatible with the original pump parts.

Gears are hardened and precision ground and meet the requirements of AGMA (American Gear Manufacturer) quality class 11.

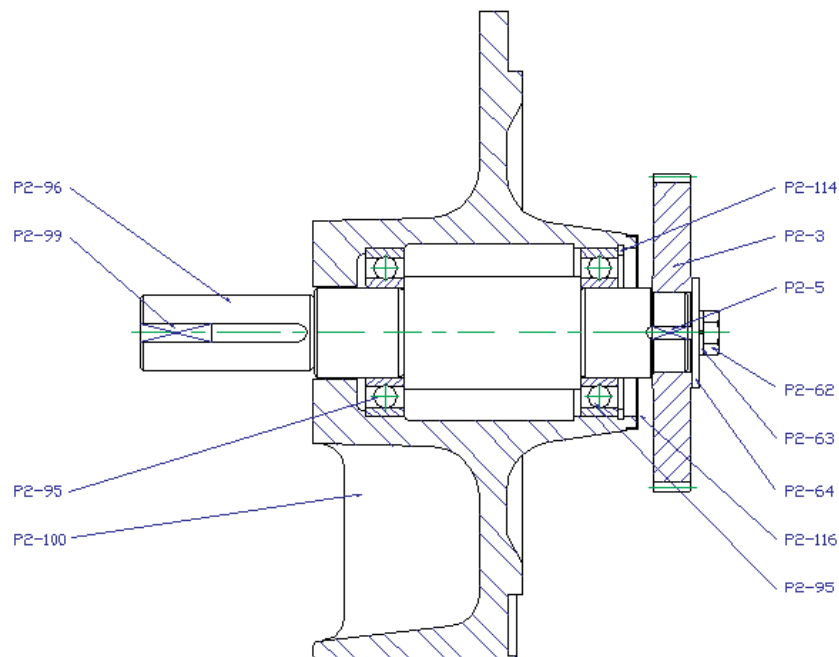
Gearbox kits are available for pump speeds ranging from 10.360 rpm to 14.227 rpm\*.

### \* further speeds on request

Overhauls can be carried out in our repair center or directly on site.

The following components which also can be ordered separately are included in the gearbox kit:

- Drive gear (P2-3)
- Drive gear key (P2-5)
- Low speed shaft assembly (P2-97) consisting of:  
Low speed shaft (P2-96) and 2 x ball bearing (P2-95)
- Retaining ring (P2-114)
- Slinger (P2-116)
- Coupling hub key (P2-99)
- Screw (P2-62)  
Lock washer (P2-63)  
Flat washer (P2-64)



## Gearbox Kits suitable for Sundyne Pump Type LMV-322

Complete gearbox kits from **sammler cs** suitable for Sundyne Pump type LMV-322 allow a quick and easy overhaul of failed gearboxes.

All single components produced by **sammler cs** meet the highest material and quality standards and are fully compatible with the original pump parts. Gears are hardened and precision ground and meet the requirements of AGMA (American Gear Manufacturer) quality class 11.

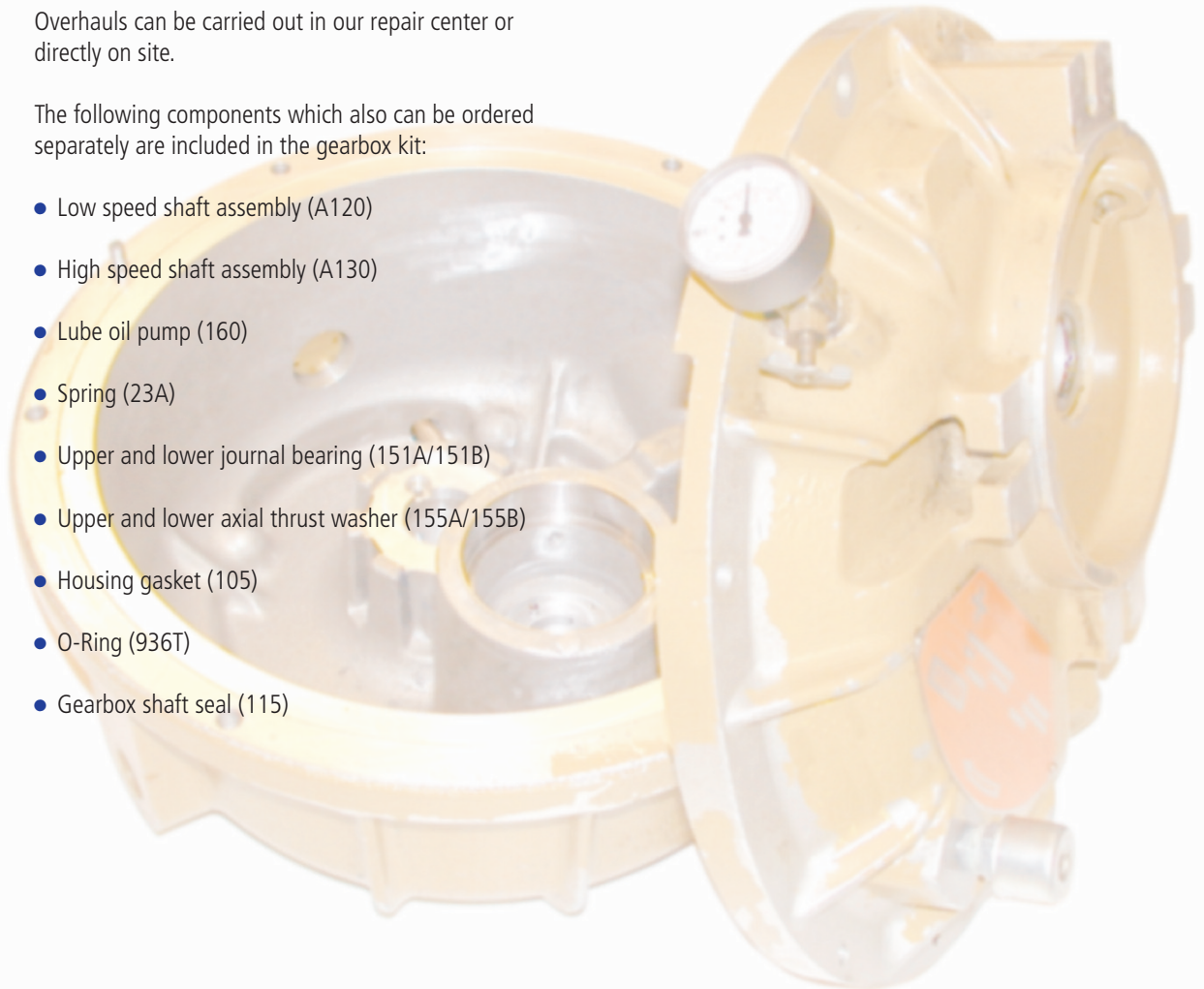
Gearbox kits are available for pump speeds ranging from 9.146 rpm to 14.227 rpm\*.

**\* further speeds on request**

Overhauls can be carried out in our repair center or directly on site.

The following components which also can be ordered separately are included in the gearbox kit:

- Low speed shaft assembly (A120)
- High speed shaft assembly (A130)
- Lube oil pump (160)
- Spring (23A)
- Upper and lower journal bearing (151A/151B)
- Upper and lower axial thrust washer (155A/155B)
- Housing gasket (105)
- O-Ring (936T)
- Gearbox shaft seal (115)





## Gearbox Kits suitable for Sundyne Pump Type LMV-311



Complete gearbox kits from **sammler cs** suitable for Sundyne pump type LMV-311 allow a quick and easy overhaul of failed gearboxes.

All single components produced by sammler cs meet the highest material and quality standards and are fully compatible with the original pump parts.

Gears are hardened and precision ground and meet the requirements of AGMA (American Gear Manufacturer) quality class 11.

Gearbox kits are available for pump speeds ranging from 6.859 rpm to 17.178 rpm\*.

### \* Further speeds on request

Overhauls can be carried out in our repair center or directly on site.

The following components which also can be ordered separately are included in the gearbox kit:

- Low speed shaft assembly (A120)
- Idler shaft assembly (A140)
- High speed shaft assembly (A130)
- Lube oil pump and spring (160 / 23A)
- Upper and lower journal bearing (151A/151B)
- Upper and lower axial thrust washer (155A/155B)
- Housing gasket (105)
- O-Ring (936T)
- Gearbox shaft seal (115)

